

100/1000 BASE-T TRANSFORMER MODULES

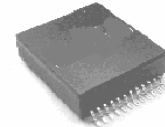
Design For Long Hual Gigabit Ethernet 100/1000 BASE-Tx Full Duplex Applications.

Low Profile Surface Mount Packaging Designed Reflow Process (250°C peak).

Compliant With IEEE 802ab draft standards for 1000Base-T.

Supports 4 Pairs Of Category 5 UTP Cable.

For RoHS Part Add Suffix G.



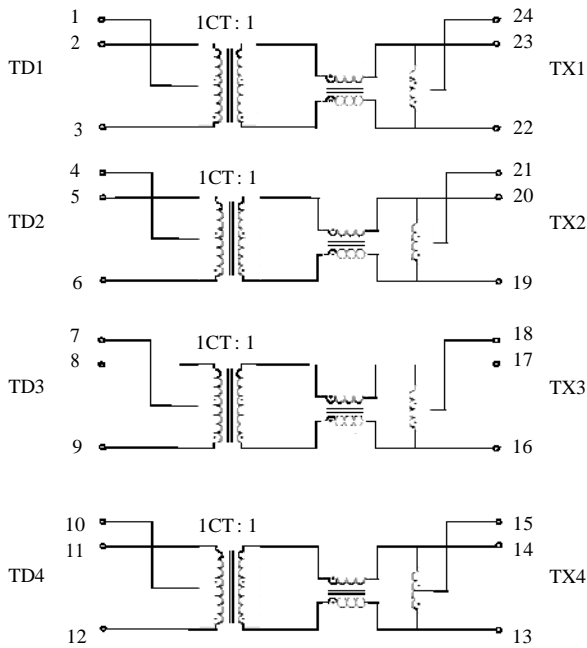
ELECTRICAL SPECIFICATIONS @ 25°C

Part Number	Insertion Loss (dB max)		Return Loss (dB min)			CMRR (dB min)			Crosstalk (dB min)	
	0.3-100MHz	0.3-30MHz	40MHz	50MHz	60-80MHz	0.3-30MHz	60MHz	80-100MHz	0.3-30MHz	60-100MHz
KSW-G24101MI	-1.1	-18	-14.4	-13.1	-12	-40	-35	-30	-35	-28
KSW-G24102MI	-1.1	-18	-14.4	-13.1	-12	-40	-35	-30	-35	-28

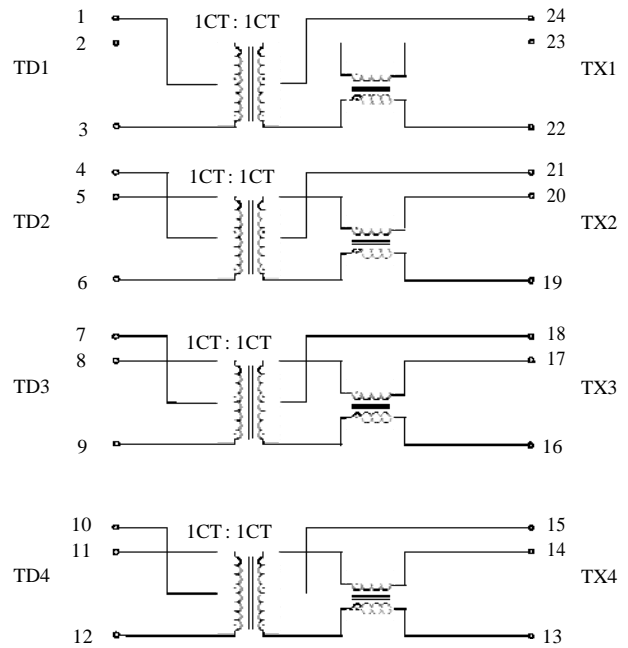
Note : All models meet Isolation Voltage (HiPot) of 1500Vrms

SCHEMATICS

KSW-G24101MI



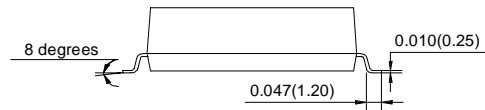
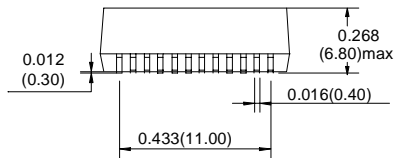
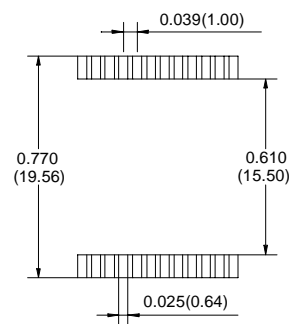
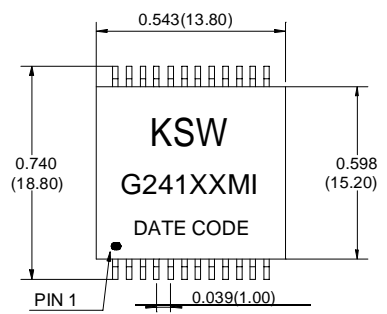
KSW-G24102MI



100/1000 BASE-T TRANSFORMER MODULES

MECHANICAL SPECIFICATIONS

KSW-G241xxMI



DIMENSIONS : INCHES/(mm) UNLESS OTHERWISE SPECIFIED ALL TOLERANCES ARE + 0.010(0.25).