

# 100/1000 BASE-T TRANSFORMER MODULES

- **D**esigned For Ethernet 100/1000 BASE-T Full Duplex Applications.
- **C**ompliant With IEEE 802.3ab Standard For 1000Base-T.
- **C**able Interface For Isolation And Low Common Mode Emissions.
- **S**upports 4 Pairs Of Category 5 UTP Cable.
- **F**or RoHS Part Add Suffix G.



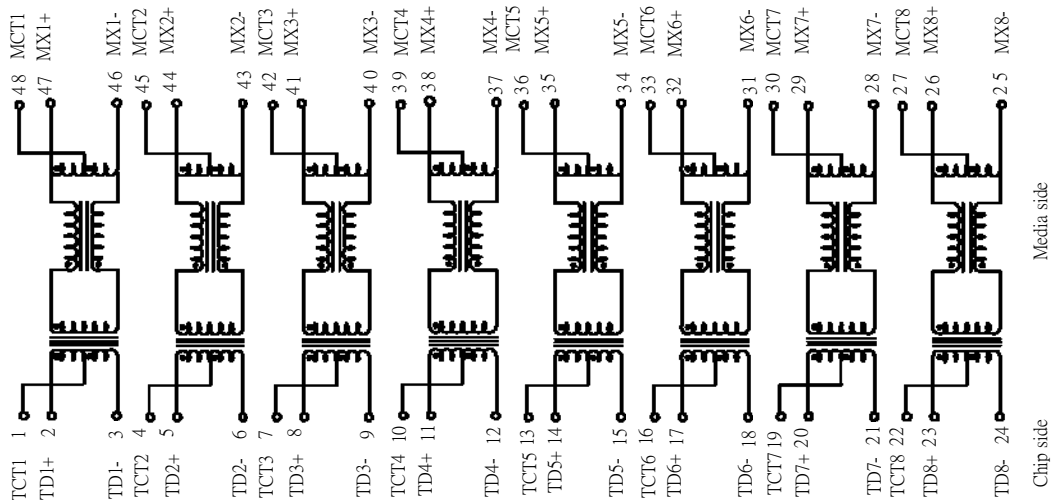
## ELECTRICAL SPECIFICATIONS @ 25°C

Number	Loss (dB max)		(dB min)				Mode Rejection (dB typ)				(dB min)	
	0.3-100MHz	0.3-30MHz	40MHz	50MHz	60-80MHz	100MHz	30MHz	60MHz	100MHz	30MHz	60MHz	100MHz
KSW-G48201SN	-0.8	-16	-14.4	-13.1	-12	-10	-45	-40	-35	-40	-35	-33

**Note** : All models meet Isolation Voltage (HiPot) of 1500Vrms

## SCHEMATICS

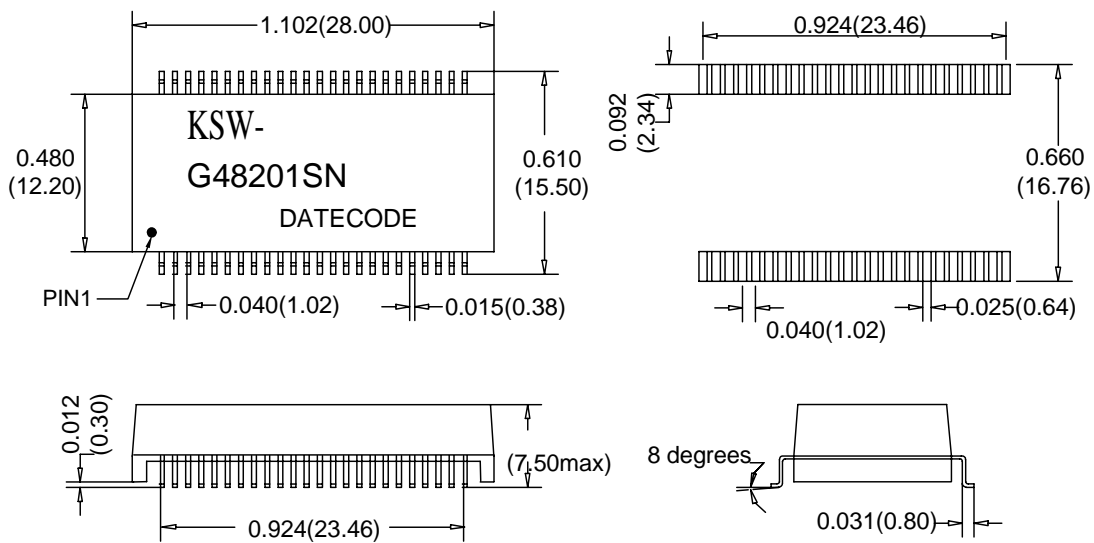
### KSW-G48201SN



# 100/1000 BASE-T TRANSFORMER MODULES

## MECHANICAL SPECIFICATIONS

### KSW-G48201SN



DIMENSIONS : INCHES/(mm) UNLESS OTHERWISE SPECIFIED ALL TOLERANCES ARE ± 0.010(0.25).