

SPECIFICATION FOR APPROVAL

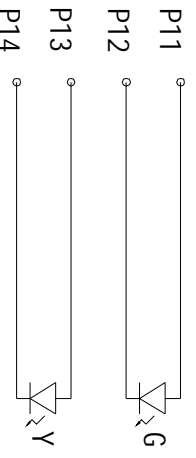
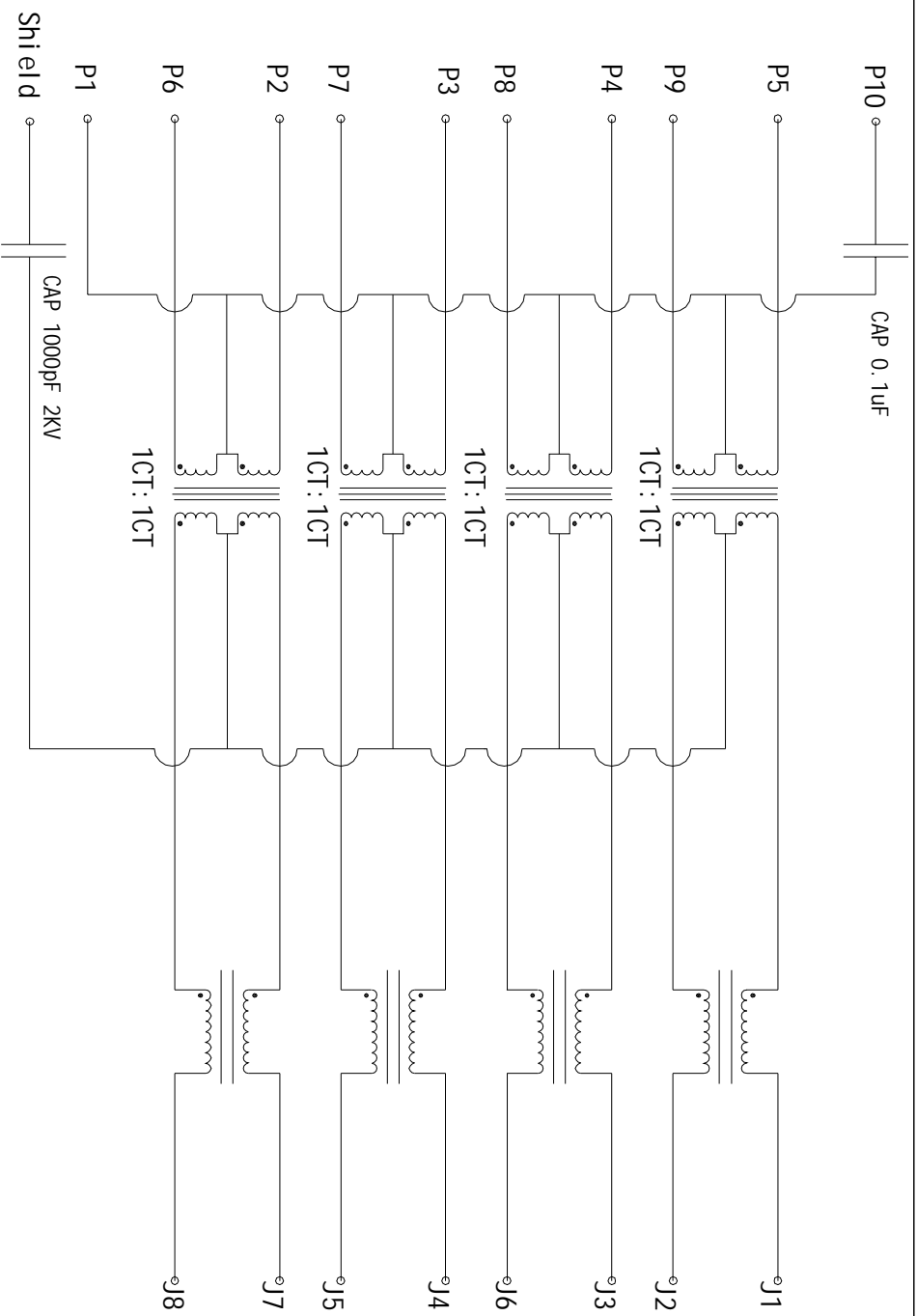
PRODUCT NAME: 52 1*1 Port vertical with transformer and
LED, W/O EMI, 1000BT, After 3.89

PRODUCT NO : KW-20005

CUSTOMER NO :

REV : _____

DATE : _____



ELECTRICAL SPECIFICATIONS:

- 1.0 TURN RATIO: (P5-P9) : (J1-J2) : 1:1 ± 3%
 (P4-P8) : (J1-J2) : 1:1 ± 3%
 (P3-P7) : (J1-J2) : 1:1 ± 3%
 (P2-P6) : (J1-J2) : 1:1 ± 3%

SIZE	DRAWING NO.	REV
A	KW-20005	01
SCALE		SHEET
N/A		2 OF 7

- 2. 0 INDUCTANCE: (P5-P9) : 350uH MIN @ 0. 1V, 100KHZ, 8mA DC BIAS
 - (P4-P8) : 350uH MIN @ 0. 1V, 100KHZ, 8mA DC BIAS
 - (P3-P7) : 350uH MIN @ 0. 1V, 100KHZ, 8mA DC BIAS
 - (P2-P6) : 350uH MIN @ 0. 1V, 100KHZ, 8mA DC BIAS
- 3. 0 LEAKAGE INDUCTANCE: P5-P9(WI TH J1 AND J2 SHORT) : 0. 3uH MAX @1 MHZ
 - P4-P8(WI TH J3 AND J6 SHORT) : 0. 3uH MAX @1 MHZ
 - P3-P7(WI TH J4 AND J5 SHORT) : 0. 3uH MAX @1 MHZ
 - P2-P6(WI TH J7 AND J8 SHORT) : 0. 3uH MAX @1 MHZ
- 4. 0 INTERWINDIND CAPACITANCE: (P5-P9) : (J1~J2) : 105pF MAX @ 1MHZ
 - (P4-P8) : (J3~J6) : 105pF MAX @ 1MHZ
 - (P3-P7) : (J4~J5) : 105pF MAX @ 1MHZ
 - (P2-P6) : (J7~J8) : 105pF MAX @ 1MHZ
- 5. 0 DC RESISTANCE: (J1~J2) : (J3~J6) : (J4~J5) : (J7~J8) : 1. 2 OHMS MAX
- 6. 0 RETURN LOSS: 1MHZ TO 30MHZ : -18dB MIN
 - 30MHZ TO 80MHZ : -12dB MIN
- 7. 0 DIELECTRIC WITHSTAND: (P5-P9) : (J1~J2) : 1500VAC
 - (P4-P8) : (J3~J6) : 1500VAC
 - (P3-P7) : (J4~J5) : 1500VAC
 - (P2-P6) : (J7~J8) : 1500VAC
- 8. 0 INSERTION LOSS: RS=RL=1000HM : -1. 1dB MIN
 - 100KHZ TO 80MHZ
- 9. 0 RISE TIME: RS=100 OHMS AND RL=1000HMS : 3. 0NS MAX
 - OUTPUT VOLTAGE=1V PEAK : 3. 0NS MAX
 - PULSE WI DTH= 112ns
- 10. 0 CROSS TALK: 1MHZ TO 100MHZ : 40dB TYP
- 11. 0 COMMON TO COMMON MODE ATTENUATION: 30MHZ TO 100MHZ : 35dB TYP

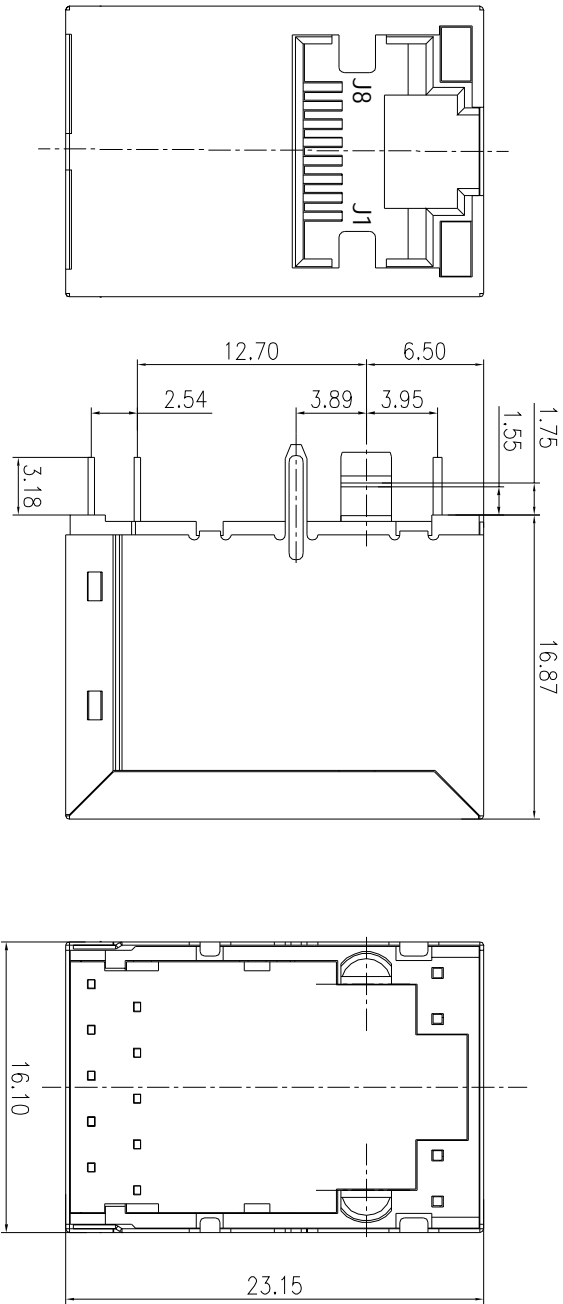
SIZE	DRAWING NO.	REV
A	KW-20005	01
SCALE		SHEET
N/A		3 OF 7

MECHANIC SPECIFICATIONS:

NOTES:

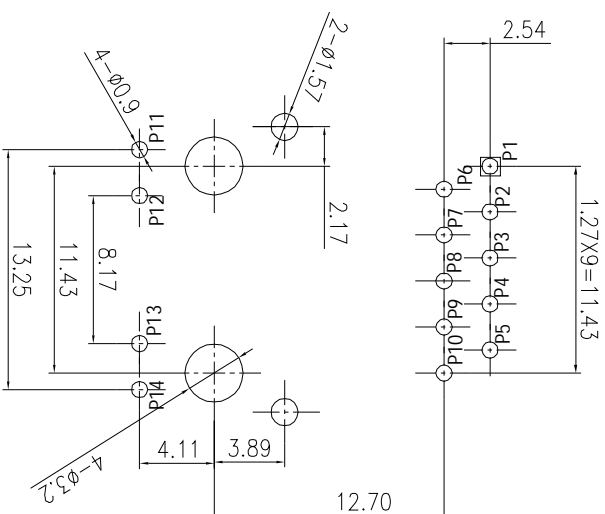
- 1. CONNECTOR MATERIAL:
HOUSING: THERMOPLASTIC UL94 V-0
CONTACT/SHIELD: COPPER ALLOY
SHIELD PLATING: NICKEL OR TIN
- CONTACT PLATING: SELECTIVE GOLD,
 - 50 MICRO-INCHS MIN
 - 30 MICRO-INCHS MIN
 - 15 MICRO-INCHS MIN
 - 6 MICRO-INCHS MIN
 - 3 MICRO-INCHS MIN
- IN CONTACT AREA

- 2. PIN NOT ELECTRICALLY CONNECTED MAYBE OMITTED SEE ELECTRICAL DRAWING FOR OMITTED PINS
- 3. TOLERANCES COMPLY WITH F. C. C DIMENSION REQUIREMENTS
- 4. WAVE SOLDER COMPATIBLE -PREHEAT 125 C DEGREE/90SECS
- 5. ALL TOLERANCES NOT OTHERWISE SPECIFIED TO BE $\pm 0.1\text{mm}$.



SIZE	DRAWING NO.	REV
A	KW-20005	01
SCALE		SHEET
N/A		4 OF 7

MECHANIC SPECIFICATIONS:



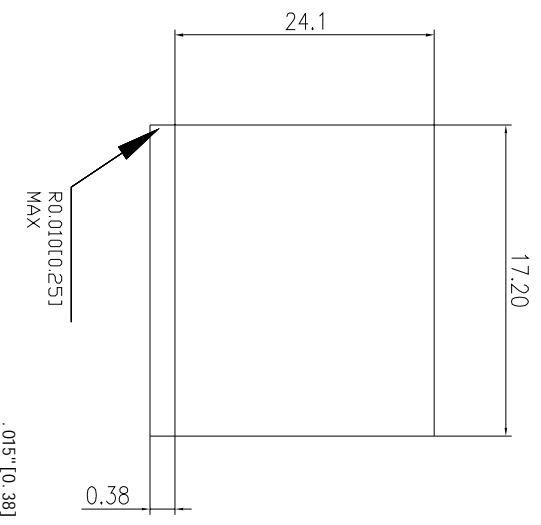
P. C. B RECOMMENDED HOLE LAYOUT SEEN FROM COMPONENT SIDE.

ALL CENTERLINE DIMENSIONS ARE BASIC

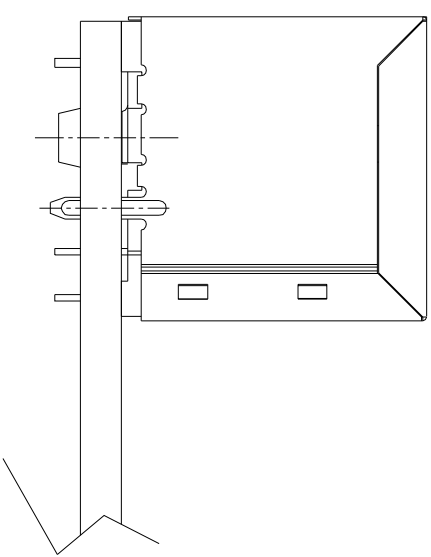
LED SPECIFICATION		
STANDARD LED	WAVELENGTH	Forward V(max)
GREEN	565nm	2.4V
YELLOW	590nm	2.5V
		TYP

*WITH A FORWARD CURRENT OF 20mA

SIZE	DRAWING NO.	REV
A	KW-20005	01
SCALE		SHEET
N/A		5 OF 7



.015" [0.38] FROM TOP OF PCB TO BOTTOM OF OPENING.



- 1. THE SUGGESTED PANEL OPENING IS INTENDED TO GIVE THE USER THE ABILITY TO HAVE REASONABLE JACK/PANEL CLEARANCES CAPABILITY.
- 2. ALL TOLERANCES NOT OTHERWISE SPECIFIED TO BE ±0.005 INCH (0.13)

1SUGGESTED PANEL OPENING(N. I. S)

SIZE	DRAWING NO.	REV
A	KW-20005	01
SCALE		SHEET
N/A		6 OF 7