

SPECIFICATION FOR APPROVAL

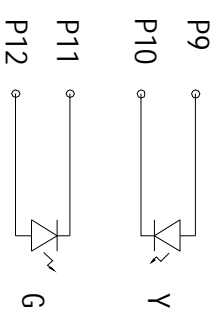
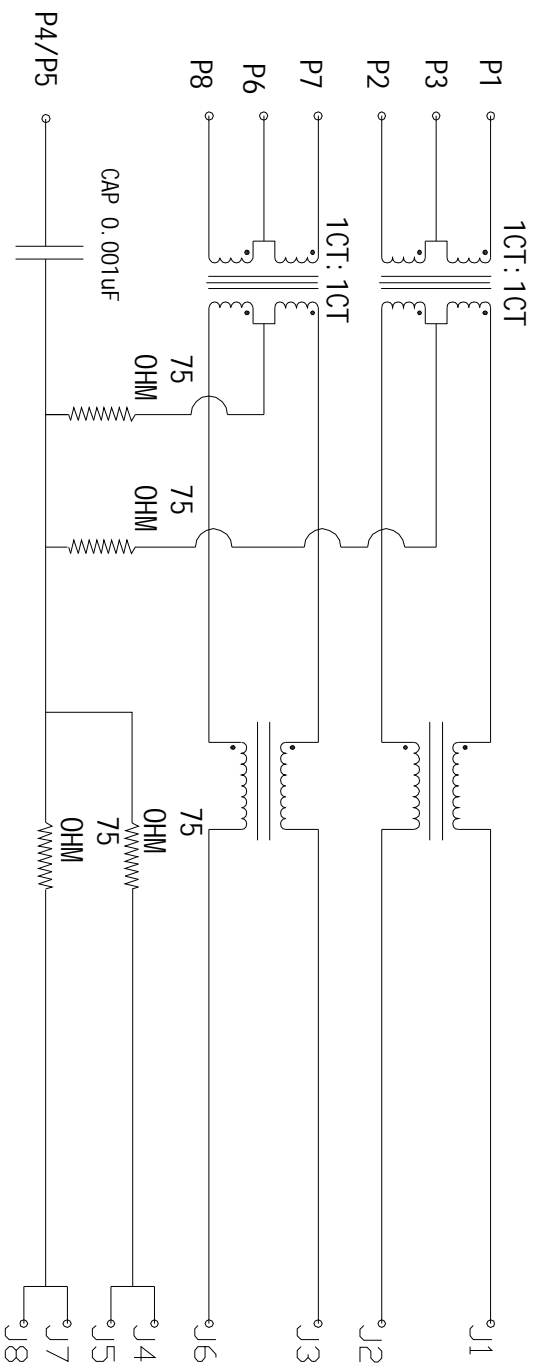
59 1*1port with transformer and
LED, EMI , 10/100BT Afer 3.05

PRODUCT NAME: _____

PRODUCT NO : KW-50031-1

CUSTOMER NO : _____

REV : _____ DATE : _____



ELECTRICAL SPECIFICATIONS:

- 1.0 TURN RATIO: (P1~P2) : (J1~J2) : 1:1 ± 3%
- (P7~P8) : (J3~J6) : 1:1 ± 3%

SIZE	A	DRAWING NO.	KW-50031-1	REV	01
SCALE	N/A			SHEET	2 OF 7

2.0 INDUCTANCE: (P1~P2) 350uH MIN @0.1V, 100KHZ, 8mA DC BIAS
(P7~P8) 350uH MIN @0.1V, 100KHZ, 8mA DC BIAS

3.0 LEAKAGE INDUCTANCE: P1~P2(WITH J1 AND J2 SHORT) : 0.3uH MAX @1MHZ
P7~P8(WITH J3 AND J6 SHORT) : 0.3uH MAX @1MHZ

4.0 INTERWINDING CAPACITANCE: (P1~P2): (J1~J2) : 35pF MAX @ 1MHZ
(P7~P8): (J3~J6) : 35pF MAX @ 1MHZ

5.0 DC RESISTANCE: (J1~J2): (J3~J6) : 1.2 OHMS MAX

6.0 RETURN LOSS: 1MHZ TO 30MHZ : -18dB MIN
30MHZ TO 80MHZ : -12dB MIN

7.0 DIELECTRIC WITHSTAND: (P1~P2): (J1~J2) : 1500VAC
(P7~P8): (J3~J6) : 1500VAC

8.0 INSERTION LOSS: RS=RL=1000HM 100KHZ TO 80MHZ : -1.1dB MIN

9.0 RISE TIME : RS=1000HMSAND RL=1000HMS : 3.0nS MAX
OUTPUT VOLTAGE=1V PEAK : 3.0nS MAX
PULSE WIDTH=112ns

10.0 CROSS TALK: 1MHZ TO 100MHZ 40dB TYP

11.0 COMMON TO COMMON MODE ATTENUATION: 30MHZ TO 100MHZ : 35dB TYP

SIZE

A

DRAWING NO.

KW-50031-1

REV

01

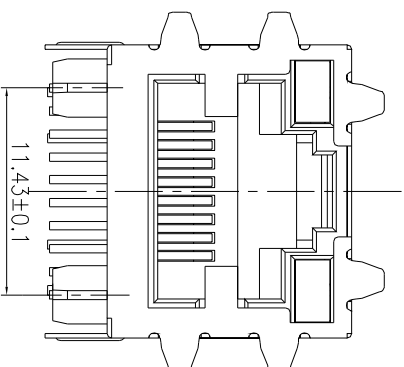
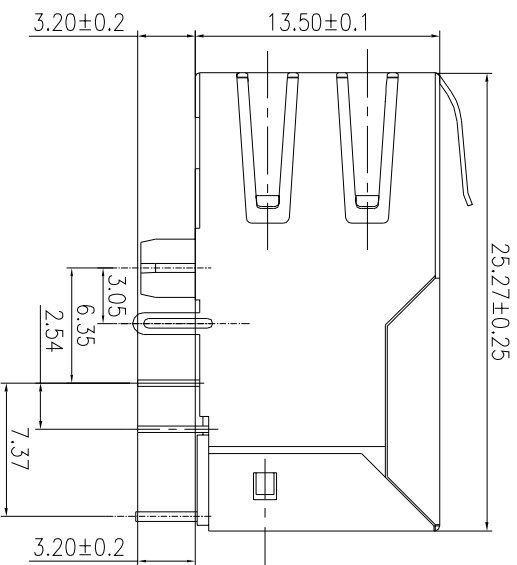
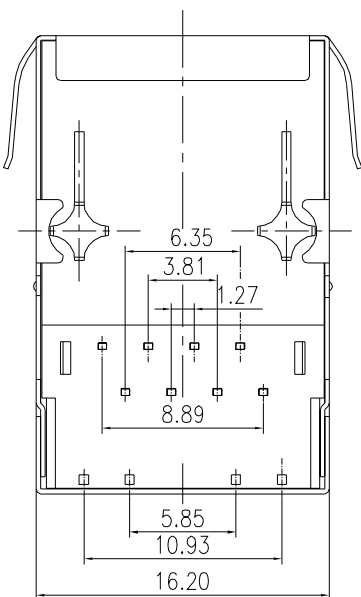
SCALE

N/A

SHEET

3 OF 7

MECHANIC SPECIFICATIONS:



NOTES:

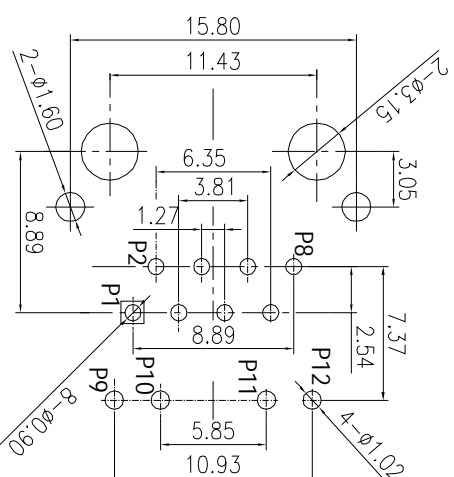
1. CONNECTOR MATERIAL:
HOUSING: THERMOPLASTIC UL94 V-0
CONTACT/SHIELD: COPPER ALLOY
SHIELD PLATING: NICKEL OR TIN
CONTACT PLATING: SELECTIVE GOLD,
 - 50 MICRO-INCHS MIN
 - 30 MICRO-INCHS MIN
 - 15 MICRO-INCHS MIN
 - 6 MICRO-INCHS MIN
 - 3 MICRO-INCHS MIN
2. PIN NOT ELECTRICALLY CONNECTED MAYBE OMITTED SEE ELECTRICAL DRAWING FOR OMITTED PINS
3. TOLERANCES COMPLY WITH F. C. C DIMENSION REQUIREMENTS
4. WAVE SOLDER COMPATIBLE--PREHEAT 125 C. DEGREE/90SECS
5. ALL TOLERANCES NOT OTHERWISE SPECIFIED TO BE ±0.1mm.



IN CONTACT AREA

SIZE	DRAWING NO.	REV
A	KW-50031-1	01
SCALE		SHEET
N/A		4 OF 7

MECHANIC SPECIFICATIONS:



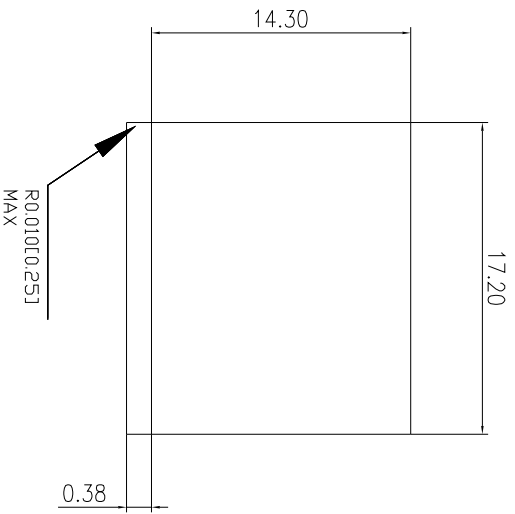
P. C. B RECOMMENDED HOLE LAYOUT SEEN FROM COMPONENT SIDE.

ALL CENTERLINE DIMENSIONS ARE BASIC C

LED SPECIFICATION		
STANDARD LED	WAVELENGTH	Forward V(max)
GREEN	565nm	2.4V
YELLOW	590nm	2.5V
		TYP
		2.2V
		2.1V

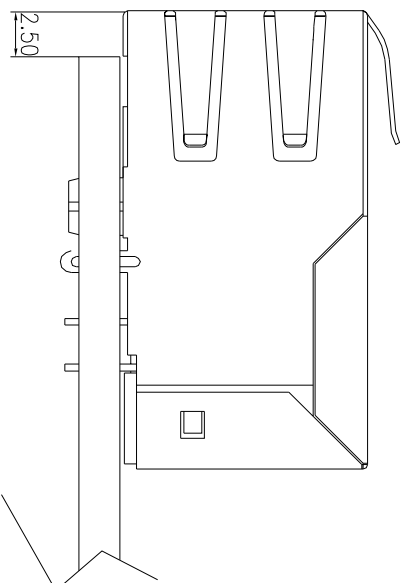
*WITH A FORWARD CURRENT OF 20mA

SIZE	DRAWING NO.	REV
A	KW-50031-1	01
SCALE		SHEET
N/A		5 OF 7



0.015" [0.38] FROM TOP OF PCB TO BOTTOM OF OPENING.

SUGGESTED PANEL OPENING (N. T. S)



1. THE SUGGESTED PANEL OPENING IS INTENDED TO GIVE THE USER THE ABILITY TO HAVE REASONABLE JACK/PANEL CLEARANCES CAPABILITY.
2. ALL TOLERANCES NOT OTHERWISE SPECIFIED TO BE ±0.005 INCH (0.13)

SIZE	DRAWING NO.	REV
A	KW-50031-1	01
SCALE		SHEET
N/A		6 OF 7