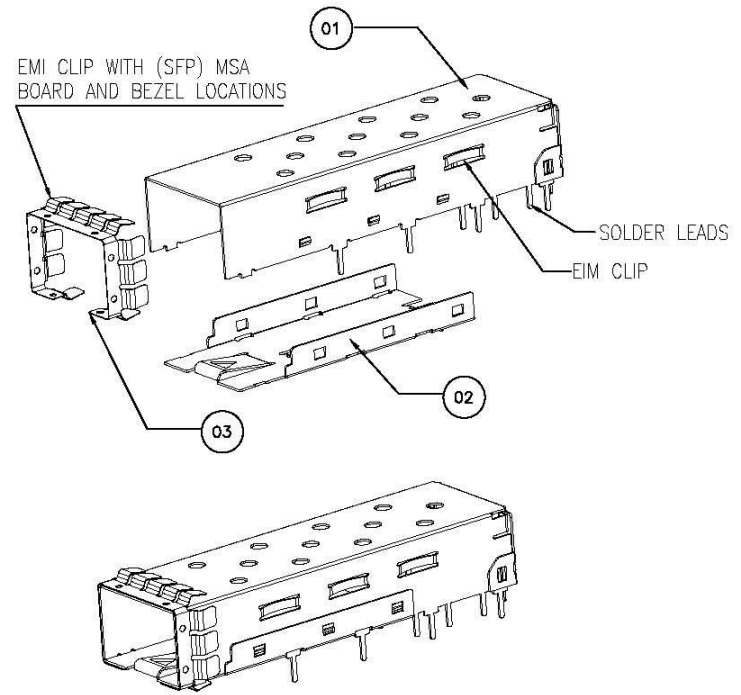
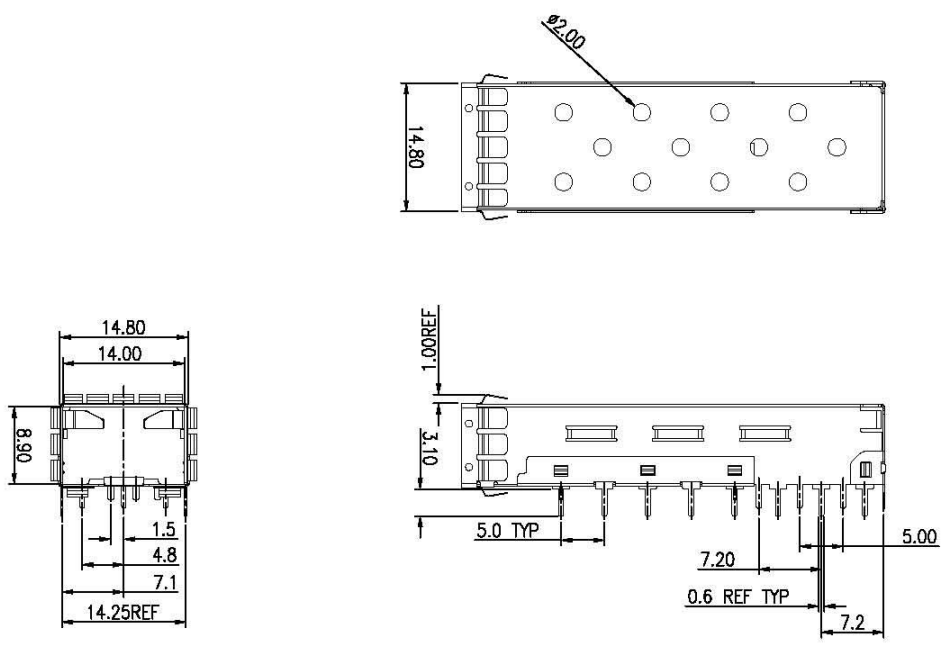


REV.	ECN NO.	DATE



NOTE:

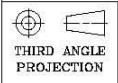
1, DESCRIPTION	Q'ty	MATERIAL	PLATING
01 SFP TOP CAGE (Non-Logo)	1PCS	COPPER ALLOY	Ni FOR ALL
02 SFP BOTTOM CAGE (Non-Logo)	1PCS	COPPER ALLOY	Ni FOR ALL
03 SFP EMI CLIP (Non-Logo)	1PCS	COPPER ALLOY	Ni FOR ALL

2, TEMPERATURE:
 OPERATION: -55°C~+85°C
 STORAGE: -55°C~+85°C

3, PART NUMBER: K869-00-Y004

RoHS Compliant

KINSWOOD ELECTRONICS CORP.				TOLERANCES .0 ± 0.25 .00 ± 0.20 .000 ± 0.15		Material: SEE NOTE		Designed:		NAME: SFP 1X1 CAGE WITH EMI CLIP	
CUSTOMER: N/A				ANGLES ± 0.5		Finish: N/A		Checked:		DWG NO:	
MODEL NO: N/A				SHEET 1 OF 2		Approved:		PART NO: SFP-K005-01		REV. 00	

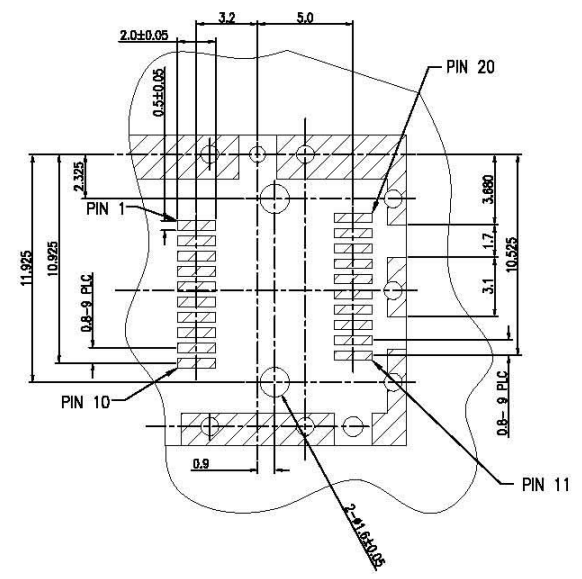
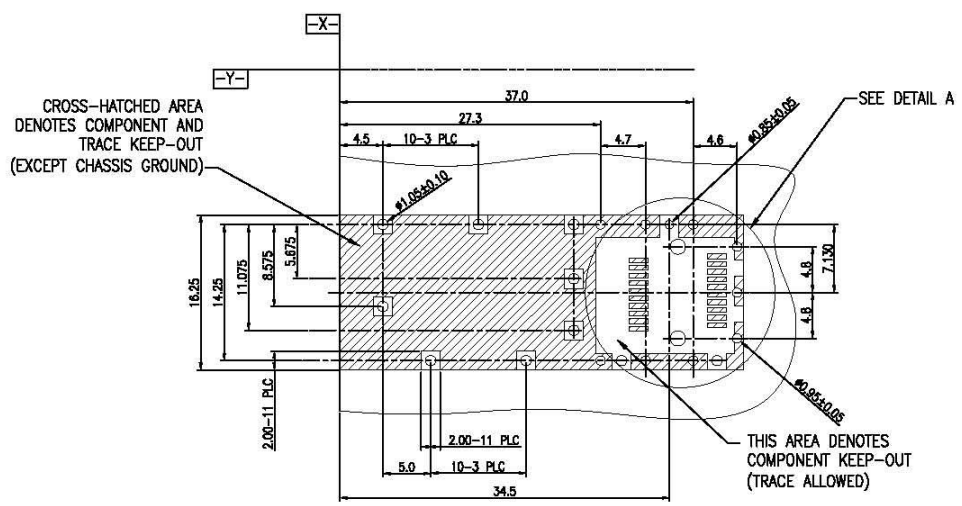
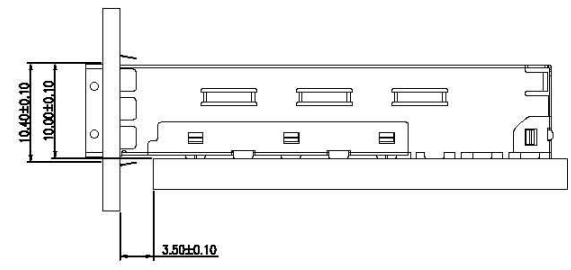
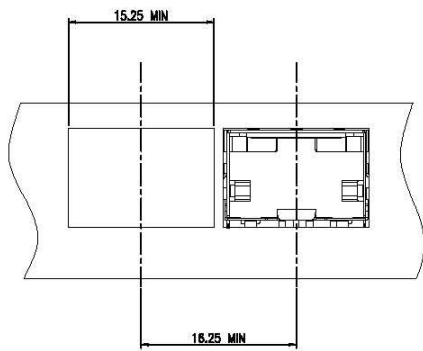


A4
SIZE

SCALE 1:1
 UNIT mm
 CUSTOMER: N/A
 MODEL NO: N/A

1 2 3 4

REV.	ECN NO.	DATE



PCB LAYOUT THICKNESS=3.0mm (TOP VIEW)

DETAIL A
SCALE 2:1

RoHS Compliant

KINSWOOD ELECTRONICS CORP.		TOLERANCES		Material: SEE NOTE		Designed:		NAME: SFP 1X1 CAGE WITH EMI CLIP	
		.0 ± 0.25		Finish: N/A		Checked:		DWG NO:	
		.00 ± 0.20		SHEET 2 OF 2		Approved:		PART NO: SFP-K005-01	
		.000 ± 0.15		ANGLES ± 0.5				REV. 00	
 THIRD ANGLE PROJECTION		A4	SCALE 1:1	UNIT mm	CUSTOMER: N/A				
SIZE				MODEL NO:					