

NO.	NAME	MATERIAL
1	HOUSING	PBT / Nylon
2	PIN TERM.	PHOS. BRONZE
3	SHELL	BRASS

**SUA-110H1 \* - \* - \* - \***

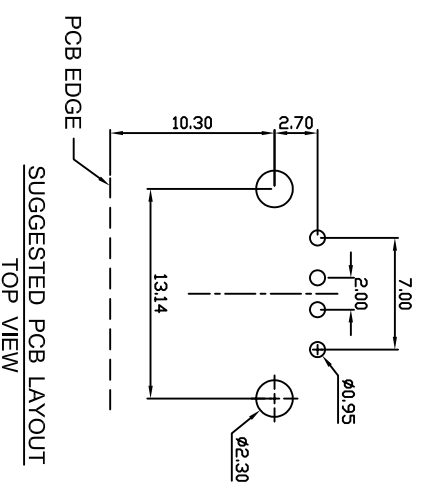
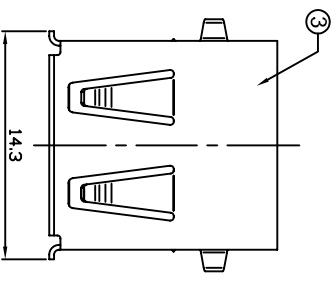
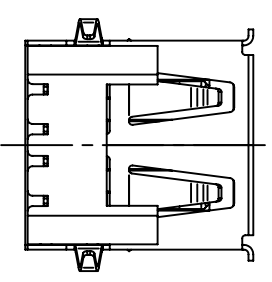
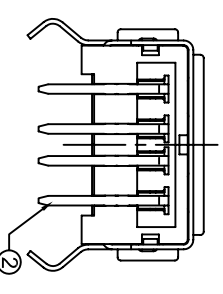
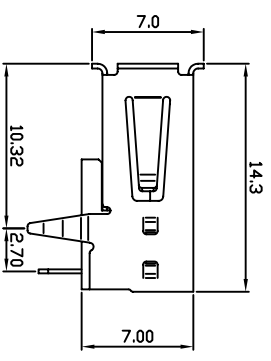
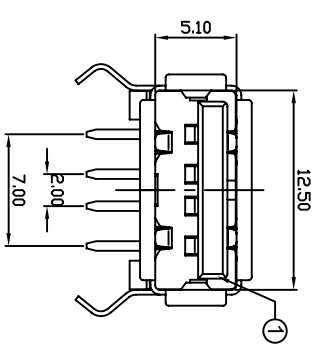
Series \_\_\_\_\_  
 Type \_\_\_\_\_  
 Color \_\_\_\_\_  
 B : Black  
 W : White

Shell \_\_\_\_\_  
 N : Nickel Plated  
 T : Tin Plated  
 F : SPCC

Version \_\_\_\_\_  
 1 : 1.1(1~3u")  
 2 : 2.0(30u"±5%)

Material \_\_\_\_\_  
 B : PBT  
 P : Nylon

REV	ZONE	REVISION	DATE	APPD.



APPROVED BY  
**KINSWOOD ELECTRONICS CORP.**

COMPUTER NO.	UNIT	SCALE	PART NAME
	mm	1 : 1	USB, TYPE A FLAT 90° DIP

MODEL	PAGE	APPD.	CKD.	DWG.	DATE	TOLERANCE	REV.
SUA-110H1 * - * - * - *	1 OF 1	Michael	Michael	Valiant	2007-02-15	0.000mm ± 0.075mm 0.00 mm ± 0.15 mm 0.0 mm ± 0.25 mm	A.0