

NO.	NAME	MATERIAL
1	HOUSING	PBT / Nylon
2	PIN TERM.	PHOS. BRONZE
3	SHELL	BRASS

# SUA-110H4 \* - \* - \*

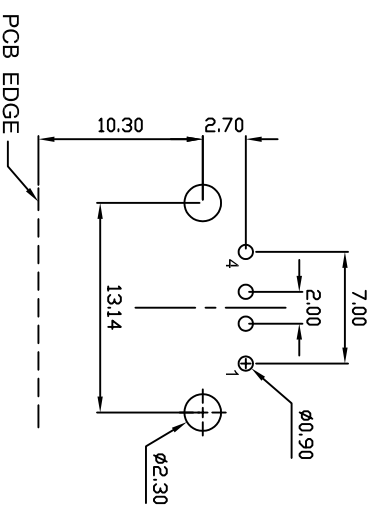
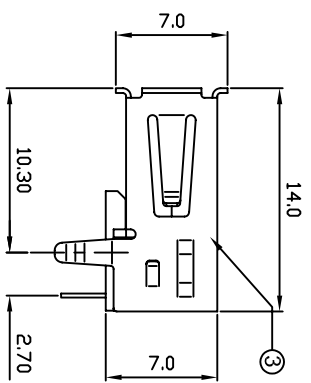
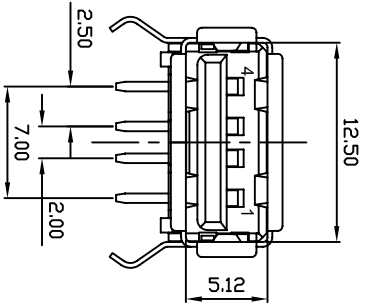
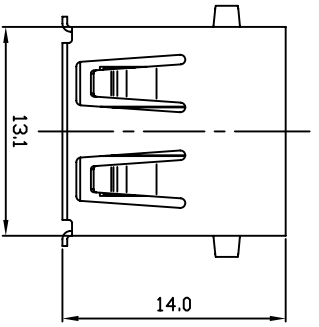
Series \_\_\_\_\_  
 Type \_\_\_\_\_  
 Color \_\_\_\_\_  
 B : Black  
 W : White

Shell  
 N : Nickel Plated  
 T : Tin Plated

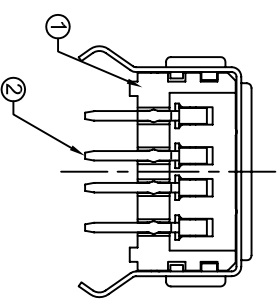
Version  
 1 : 1.1(1~3u")  
 2 : 2.0(30u" ± 5%)

Material  
 B : PBT  
 P : Nylon

REV	ZONE	REVISION	DATE	APPD.



SUGGESTED PCB LAYOUT  
TOP VIEW



APPROVED BY  
**KINSWOOD ELECTRONICS CORP.**

MODEL **SUA-110H4 \* - \* - \*** PAGE 1 OF 1

COMPUTER NO. UNIT mm SCALE 1 : 1 PART NAME USB, TYPE A REVERSE FLAT 90° DIP REV. A.0

APPD. CKD. DWG. DATE 2007-06-02 TOLERANCE 0.000mm ± 0.075mm 0.00 mm ± 0.15 mm 0.0 mm ± 0.25 mm

Michael Michael



REV. A.0