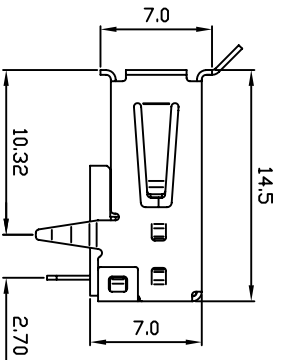
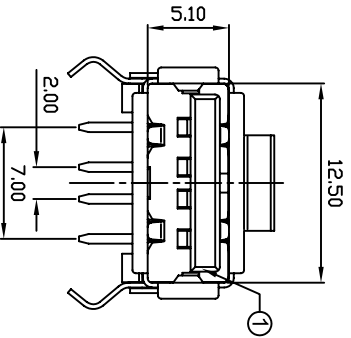
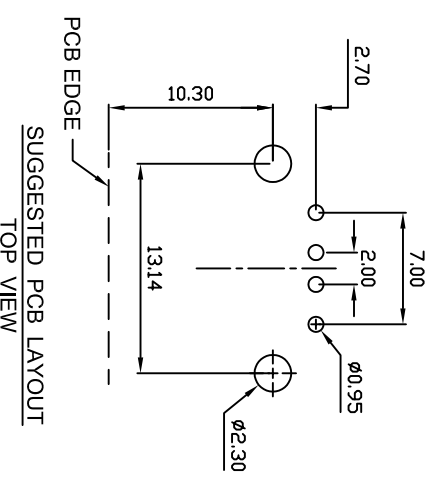
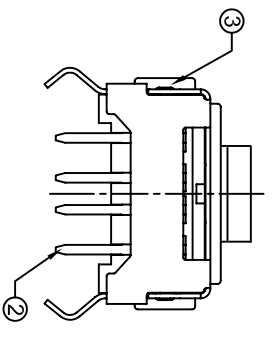
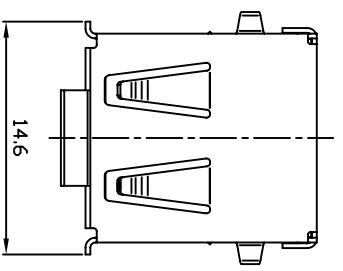


NO.	NAME	MATERIAL	FINISH
1	HOUSING	PBT	
2	CONTACT	PHOS. BRONZE	Gold-Tin Plated
3	SHELL	BRASS	Ni Plated

**SUA-110H S\*\*\***

Series \_\_\_\_\_  
 Type \_\_\_\_\_  
 S: Spring \_\_\_\_\_  
 Housing color \_\_\_\_\_  
 Shell \_\_\_\_\_  
 N : Nickel Plated  
 F : SPCC  
 Version \_\_\_\_\_  
 1 : 1.1(1~3u")  
 2 : 2.0(30u"±5%)  
 Material \_\_\_\_\_  
 B : PBT  
 P : Nylon

REV	ZONE	REVISION	DATE	APPD.



APPROVED BY  
**KINWOOD ELECTRONICS CORP.**

COMPUTER NO. \_\_\_\_\_ UNIT \_\_\_\_\_ SCALE \_\_\_\_\_ PART NAME \_\_\_\_\_

APPD. CKD. DWG. DATE TOLERANCE PART NAME  
 Michael Chindge 2007-10-24 1:1 USB, TYPE A  
 FLAT 90° DTP

MODEL SUA-110HS\*\*\* PAGE 1 OF 1

