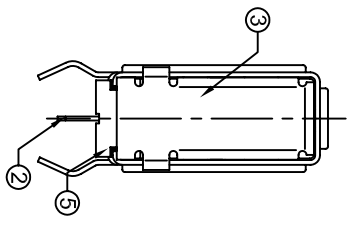
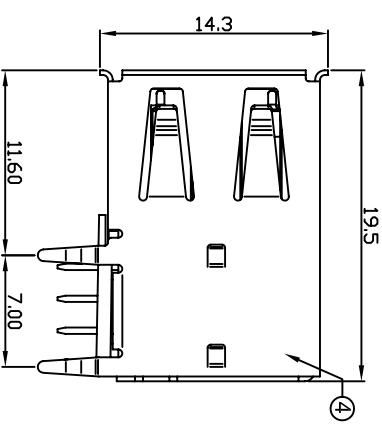
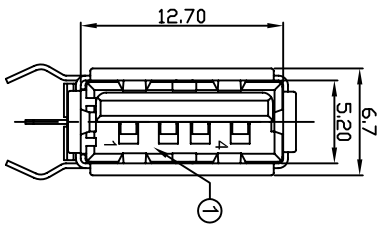
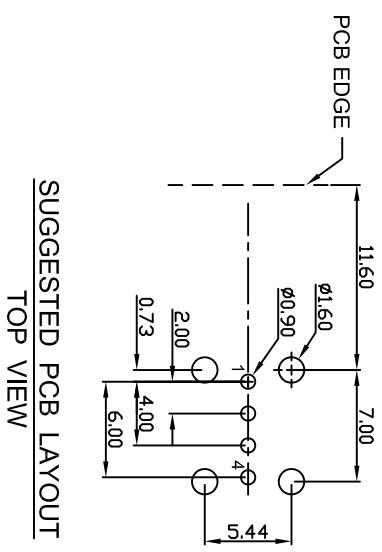
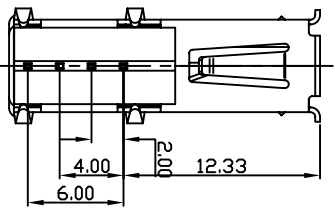


REV	ZONE	REVISION	DATE	APPD.



NO.	NAME	MATERIAL
1	HOUSING	PBT / Nylon
2	PIN TERM.	PHOS. BRONZE
3	SHELL COVER	BRASS / SPCC
4	SHELL	BRASS
5	HOUSING COVER	Nylon



### SUA-110V1 \* - \* - \* - \*

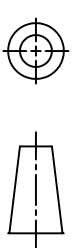
- Series \_\_\_\_\_
- Type \_\_\_\_\_
- Color \_\_\_\_\_
- W : Black
- W : White
- Shell \_\_\_\_\_
- N : Nickel Plated
- T : Tin Plated
- F : SPCC
- Version \_\_\_\_\_
- 1 : 1.1(1~3u")
- 2 : 2.0(30u"±5%)
- Material \_\_\_\_\_
- B : PBT
- P : Nylon

APPROVED BY  
**KINSWOOD ELECTRONICS CORP.**

MODEL **SUA-110V1 \* - \* - \* - \*** PAGE 1 OF 1

COMPUTER NO. \_\_\_\_\_ UNIT \_\_\_\_\_ SCALE \_\_\_\_\_ PART NAME \_\_\_\_\_

APPD. CKD. Michael DWG. Valiant DATE 2007-03-22 TOLERANCE 0.000mm ± 0.075mm 0.00 mm ± 0.15 mm 0.0 mm ± 0.25 mm USB, TYPE A UPRIGHT 90° DTP



REV. **A.0**