

NO.	NAME	MATERIAL
1	HOUSING	PBT / Nylon
2	PIN TERM.	PHOS. BRONZE
3	SHELL	BRASS

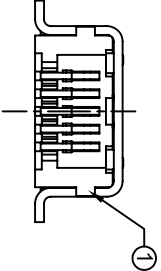
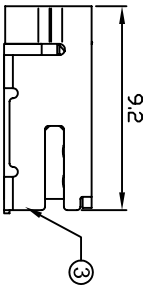
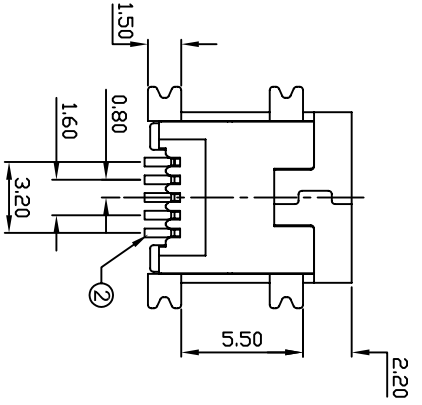
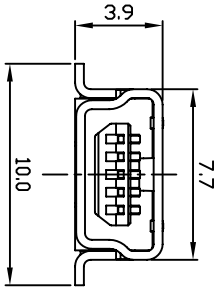
**SUA-120M1 \*-\*-\***

Series \_\_\_\_\_  
 Type \_\_\_\_\_  
 Color \_\_\_\_\_  
 B : Black  
 W : White

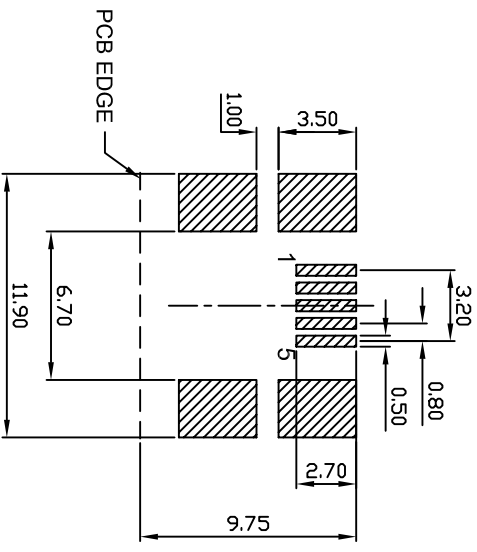
Shell \_\_\_\_\_  
 N : Nickel Plated  
 T : Tin Plated  
 F : SPCC

Version \_\_\_\_\_  
 1 : 1.1(1~3U")  
 2 : 2.0(30U"±5%)

Material \_\_\_\_\_  
 B : PBT  
 P : Nylon



REV	ZONE	REVISION	DATE	APPD.



**SUGGESTED PCB LAYOUT  
TOP VIEW**

APPROVED BY  
**KINSMOOD ELECTRONICS CORP.**

MODEL **SUA-120M1 \*-\*-\*** PAGE 1 OF 1

COMPUTER NO. \_\_\_\_\_ UNIT \_\_\_\_\_ SCALE \_\_\_\_\_ PART NAME \_\_\_\_\_

APPD. CKD. DWG. DATE TOLERANCE USB MINI B CONNECTOR CONTACT-SMT SHIELD-SMT

Michael Valiant 2007-01-24 0.000mm ± 0.075mm  
 0.00 mm ± 0.15 mm  
 0.0 mm ± 0.25 mm



REV. **A.0**