

NO.	NAME	MATERIAL
1	HOUSING	PBT / Nylon
2	PIN TERM.	PHOS. BRONZE
3	SHELL	BRASS / SPCC

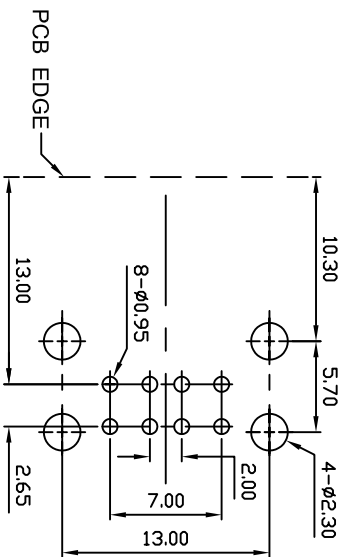
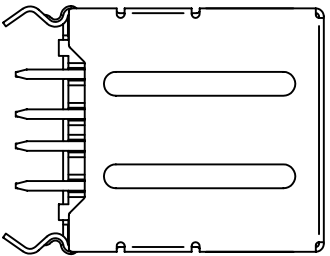
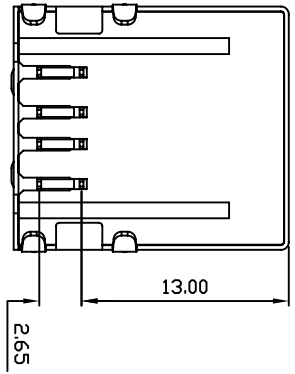
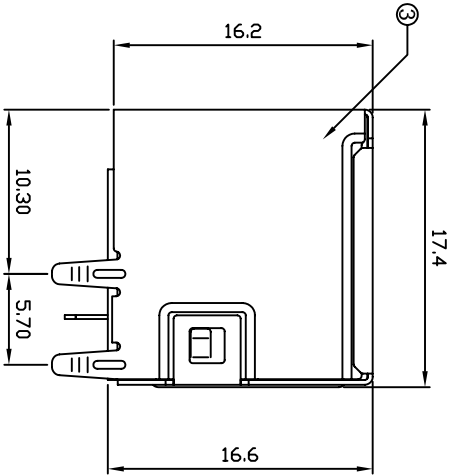
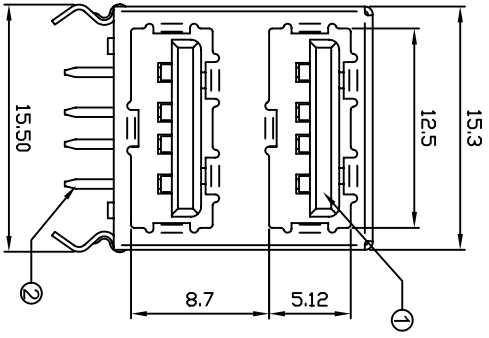
**SUA-210H2 \* - \* - \***

Series \_\_\_\_\_  
 Type \_\_\_\_\_  
 Color \_\_\_\_\_

Shell  
 N : Nickel Plated  
 T : Tin Plated  
 F : SPCC

Version  
 1 : 1.1(1-3u")  
 2 : 2.0(30u"±5%)

Material  
 B : PBT  
 P : Nylon



**SUGGESTED PCB LAYOUT**  
**TOP VIEW**

REV	ZONE	REVISION	DATE	APPD.

APPROVED BY

**KINSWOOD ELECTRONICS CORP.**

MODEL

SUA-210H2 \* - \* - \*

PAGE 1 OF 1

COMPUTER NO.

UNIT

SCALE

PART NAME

mm

1 : 1

DOUBLE USB, TYPE A

APPD.

CKD.

DWG.

DATE

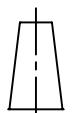
TOLERANCE

Nick

Aaron

2007-10-18

0.000mm ± 0.075mm  
 0.00 mm ± 0.20 mm  
 0.0 mm ± 0.30 mm



REV. A.0