

NO.	NAME	MATERIAL
1	HOUSING	PBT / Nylon
2	PIN TERM.	PHOS. BRONZE
3	SHELL	BRASS/ SPCC
4	SHELL	BRASS
5	SHELL	SPCC

**SUA-210H3\*\*\***

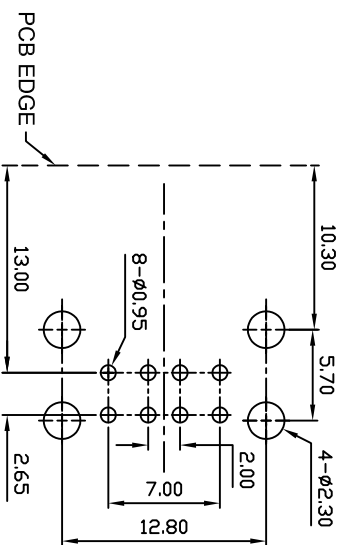
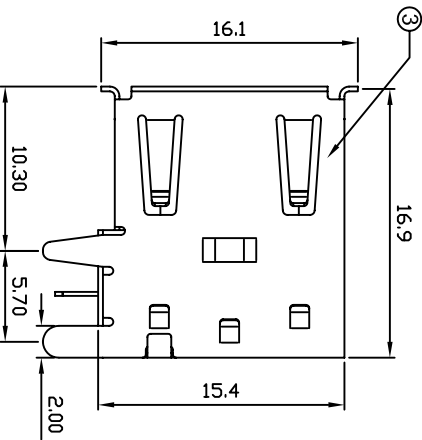
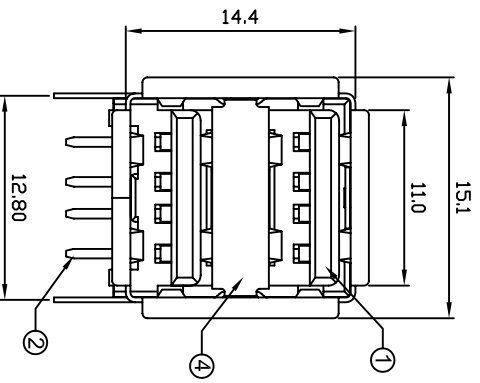
Series \_\_\_\_\_  
Type \_\_\_\_\_  
Color \_\_\_\_\_

Shell  
N : Nickel Plated  
T : Tin Plated  
F : SPCC

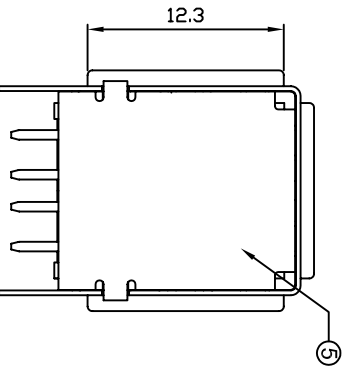
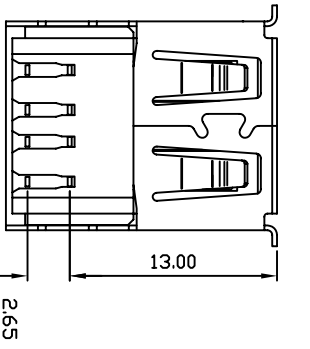
Version  
1 : 1.1  
2 : 2.0

Material  
B : PBT  
P : Nylon

REV	ZONE	REVISION	DATE	APPD.



**SUGGESTED PCB LAYOUT  
TOP VIEW**



APPROVED BY

**KINSMOOD ELECTRONICS CORP.**

MODEL

SUA-210H3\*\*\*

PAGE 1 OF 1

COMPUTER NO.

UNIT

SCALE

PART NAME

mm

1 : 1

DOUBLE USB. TYPE A

APPD.

CKD.

DWG.

DATE

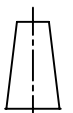
TOLERANCE

Nick

Aaron

2007-05-07

0.000mm ± 0.075mm  
0.00 mm ± 0.20 mm  
0.0 mm ± 0.30 mm



REV.  
A.0