

NO.	NAME	MATERIAL
1	HOUSING	PBT / Nylon
2	PIN TERM.	PHOS. BRONZE
3	SHELL	BRASS / SPCC
4	SHELL	BRASS
5	COVER SHELL	BRASS / SPCC
6	SPRING	SUS

SUA-210HF *-*-*

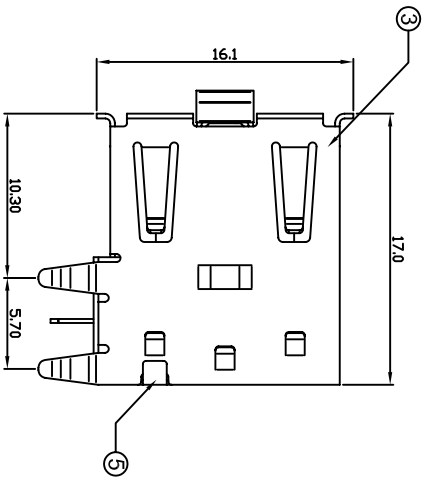
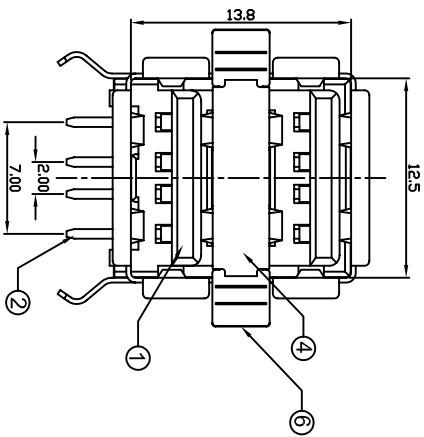
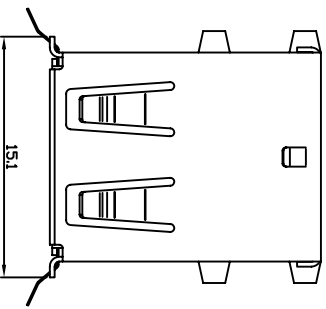
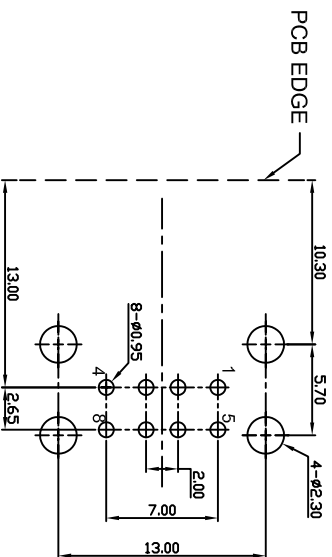
Series _____
 Type _____
 Color _____
 B : Black
 W : White

Shell _____
 N : Nickel Plated
 T : Tin Plated
 F : SPCC
 Version _____
 1 : 1.1(1~3u")
 2 : 2.0(30U"±5%)

Material
 B : PBT
 P : Nylon

REV	ZONE	REVISION	DATE	APPD.

SUGGESTED PCB LAYOUT TOP VIEW



APPROVED BY

KINSMOOD ELECTRONICS CORP.

MODEL

SUA-210HF *-*-*

PAGE 1 OF 1

COMPUTER NO.

UNIT

SCALE

PART NAME

APPD. CKD. DWG. DATE

mm

1 : 1

DOUBLE USB. TYPE A

Michael

Michael

2007-01-26

0.000mm ± 0.075mm
 0.00 mm ± 0.15 mm
 0.0 mm ± 0.25 mm



REV. A.0