

| NO. | NAME | MATERIAL |
|-----|-------------|--------------|
| 1 | HOUSING | PBT / Nylon |
| 2 | PIN TERM. | PHOS. BRONZE |
| 3 | SHELL | BRASS / SPCC |
| 4 | SHELL | BRASS |
| 5 | COVER SHELL | BRASS / SPCC |

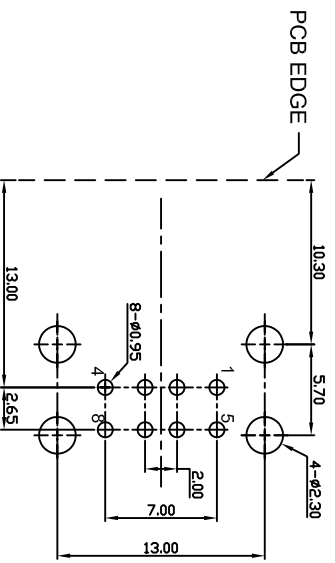
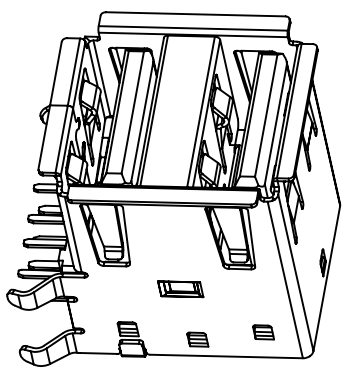
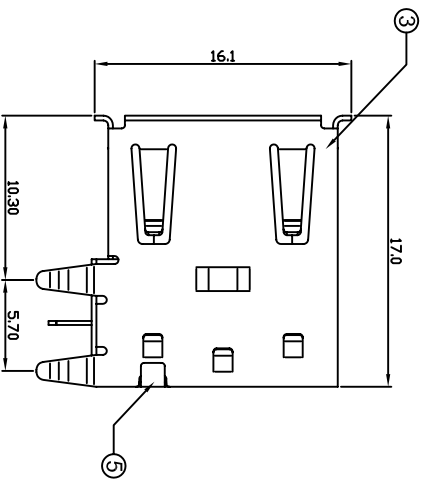
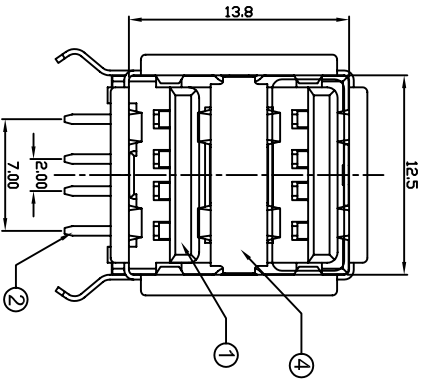
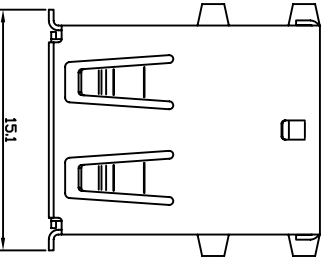
SUA-210H *-*-*

Series _____
 Type _____
 Color _____
 B : Black
 W : White

Shell
 N : Nickel Plated
 T : Tin Plated
 F : SPCC

Version
 1 : 1.1(1~3u")
 2 : 2.0(30u"±5%)

Material
 B : PBT
 P : Nylon



SUGGESTED PCB LAYOUT
TOP VIEW

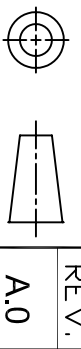
| REV | ZONE | REVISION | DATE | APPD. |
|-----|------|----------|------|-------|
| | | | | |
| | | | | |
| | | | | |

APPROVED BY
KINWOOD ELECTRONICS CORP.

MODEL **SUA-210H *-*-*** PAGE 1 OF 1

COMPUTER NO. UNIT mm SCALE 1 : 1 PART NAME DOUBLE USB. TYPE A

APPD. CKD. Michael DWG. Valiant DATE 2007-01-26 TOLERANCE 0.000mm ± 0.075mm
 0.00 mm ± 0.15 mm
 0.0 mm ± 0.25 mm



REV. A.0