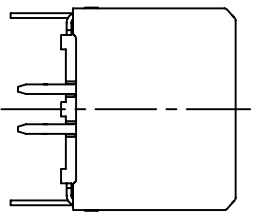
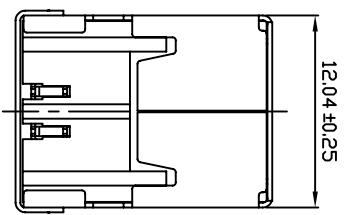
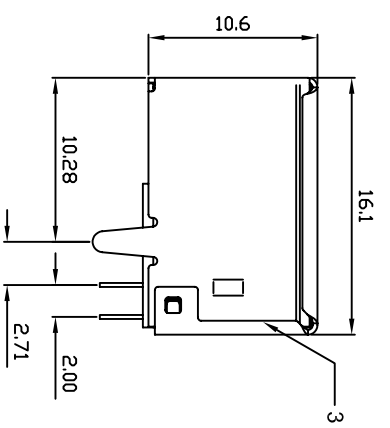
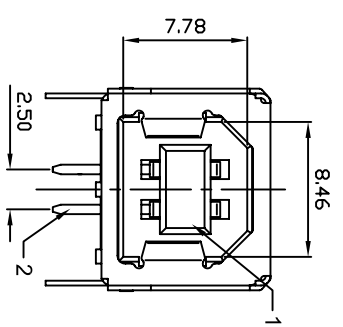


NO.	NAME	MATERIAL
1	HOUSING	PBT / Nylon
2	PIN TERM.	PHOS. BRONZE
3	SHELL	BRASS

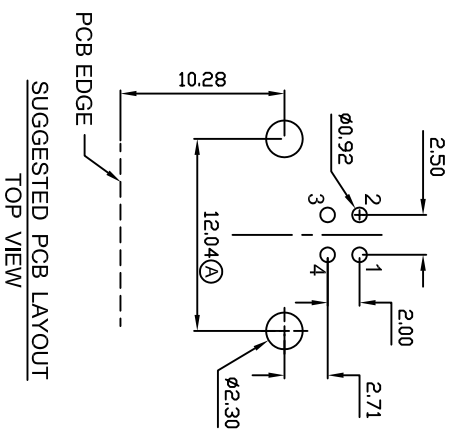
# SUB-110H1 \*-\*-\*

Series \_\_\_\_\_  
 Type \_\_\_\_\_  
 Color \_\_\_\_\_  
 B : Black  
 W : White

Shell  
 N : Nickel Plated  
 T : Tin Plated  
 F : SPCC  
 Version  
 1 : 1.1(1~3u")  
 2 : 2.0(30u"±5%)  
 Material  
 B : PBT  
 P : Nylon



REV	ZONE	REVISION	DATE	APPD.
A.1	(A)		2007.08.26	Aaron



APPROVED BY  
**KINSMOOD ELECTRONICS CORP.**

MODEL SUB-110H1 \*-\*-\* \* PAGE 1 OF 1

COMPUTER NO. UNIT mm SCALE 1 : 1 PART NAME USB, TYPE B FLAT 90° DIP

APPD.	CKD.	DWG.	DATE	TOLERANCE	REV.
Michael	Michael	Valiant	2007-02-13	0.000mm ± 0.0075mm 0.00 mm ± 0.15 mm 0.0 mm ± 0.25 mm	A.0

