

NO.	NAME	MATERIAL
1	HOUSING	PBT / Nylon
2	PIN TERM.	PHOS. BRONZE
3	SHELL	BRASS
4	SPRING	SUS

SUB-110HS***

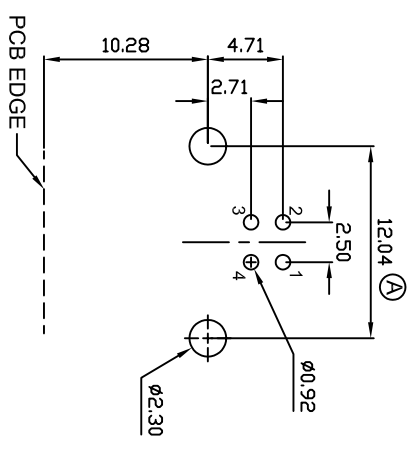
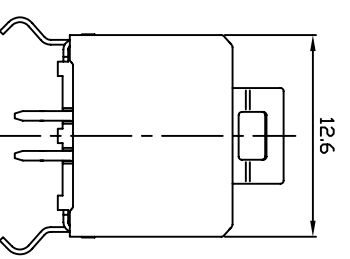
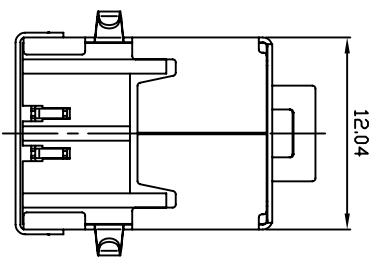
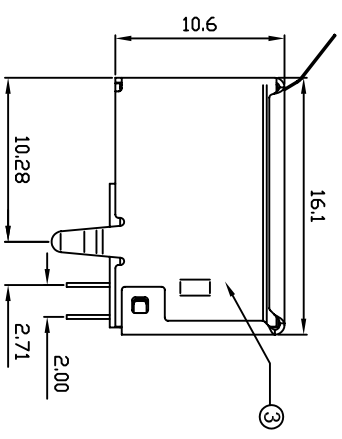
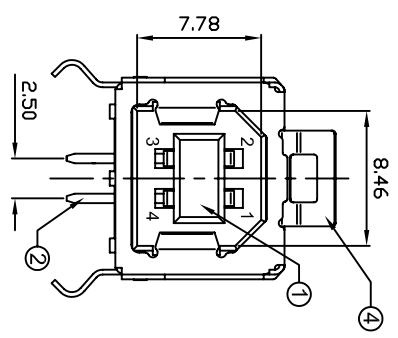
Series _____
 Type _____
 Color _____
 B : Black
 W : White

Shell _____
 N : Nickel Plated
 T : Tin Plated
 F : SPCC

Version _____
 1 : 1.1(1~3u")
 2 : 2.0(30u"±5%)

Material _____
 B : PBT
 P : Nylon

REV	ZONE	REVISION	DATE	APPD.
A.1	Ⓐ		2007.11.26	Aaron



SUGGESTED PCB LAYOUT
 TOP VIEW

APPROVED BY
KINSWOOD ELECTRONICS CORP.

COMPUTER NO.	UNIT	SCALE	PART NAME
	mm	1 : 1	USB, TYPE B FLAT 90° DIP

MODEL	PAGE	APPD.	CKD.	DWG.	DATE	TOLERANCE	REV.
SUB-110HS***	1 OF 1	Michael	Michael	Valiant	2007-09-07	0.000mm ± 0.075mm 0.00 mm ± 0.15 mm 0.0 mm ± 0.25 mm	A.1

