

| NO. | NAME | MATERIAL |
|-----|-----------|--------------|
| 1 | HOUSING | PBT / Nylon |
| 2 | PIN TERM. | PHOS. BRONZE |
| 3 | SHELL | BRASS |

SUB-110H***

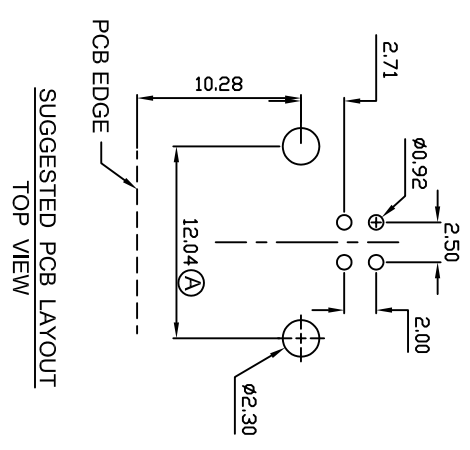
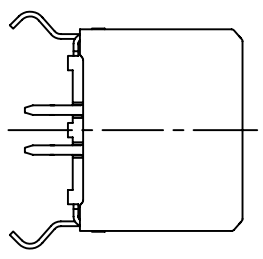
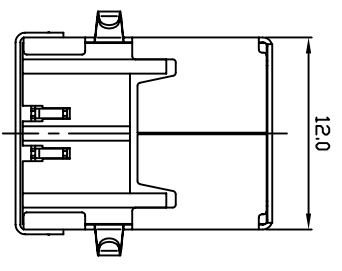
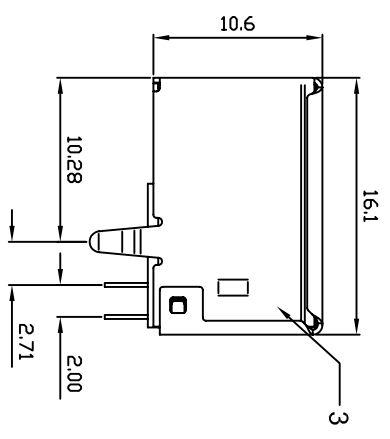
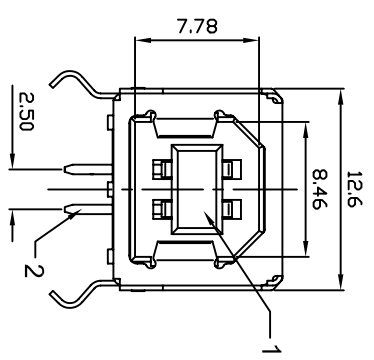
Series _____
 Type _____
 Color _____
 B : Black
 W : White

Shell
 N : Nickel Plated
 T : Tin Plated
 F : SPCC
 G : Gold Plated

Version
 1 : 1.1(1~3u")
 2 : 2.0(30u"±.5%)

Material
 B : PBT
 P : Nylon

| REV | ZONE | REVISION | DATE | APPD. |
|-----|------|----------|------------|-------|
| A.1 | (A) | | 2007.08.26 | Aaron |
| | | | | |
| | | | | |



SUGGESTED PCB LAYOUT
TOP VIEW

APPROVED BY
KINSWOOD ELECTRONICS CORP.

MODEL SUB-110H*** PAGE 1 OF 1

COMPUTER NO. UNIT mm SCALE 1:1 PART NAME USB, TYPE B FLAT 90° DIP

| APPD. | CKD. | DWG. | DATE | TOLERANCE | REV. |
|---------|---------|---------|------------|--|------|
| Michael | Michael | Valiant | 2007-02-12 | 0.000mm ± 0.075mm 0.00 mm ± 0.15 mm 0.0 mm ± 0.25 mm | A.1 |

