

NO.	NAME	MATERIAL
1	Housing	PBT / Nylon
2	PIN TERM.	PHOS. BRONZE
3	SHELL	Brass

**SUB-110PM \*- \*- \***

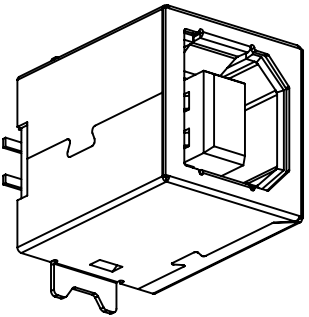
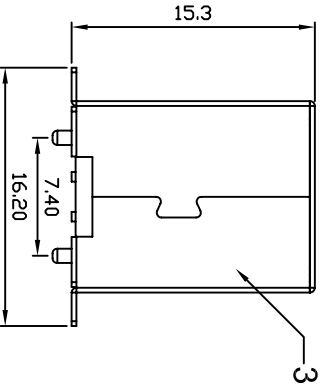
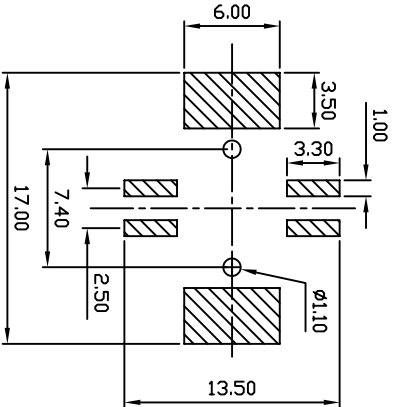
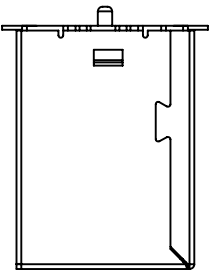
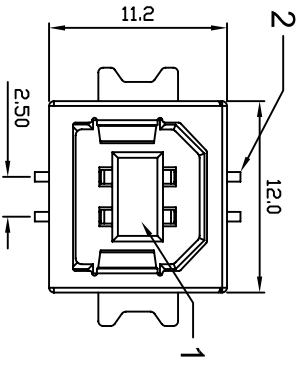
Series \_\_\_\_\_  
 Type \_\_\_\_\_  
 Color \_\_\_\_\_  
 B : Black  
 W : White

Shell \_\_\_\_\_  
 N : Nickel Plated  
 T : Tin Plated

Version \_\_\_\_\_  
 1 : 1.1(1~3u")  
 2 : 2.0(30u")

Material \_\_\_\_\_  
 B : PBT  
 P : Nylon

REV	ZONE	REVISION	DATE	APPD.



**SUGGESTED PCB LAYOUT**

APPROVED BY  
**KINSWOOD ELECTRONICS CORP.**

COMPUTER NO. \_\_\_\_\_ UNIT \_\_\_\_\_ SCALE \_\_\_\_\_ PART NAME \_\_\_\_\_

APPD. CKD. DWG. DATE TOLERANCE PART TYPE B  
 Aaron 周偉 DEC-07-06 1 : 1 180° SMT

MODEL SUB-110PM \*- \*- \* PAGE 1 OF 1



REV. A.0